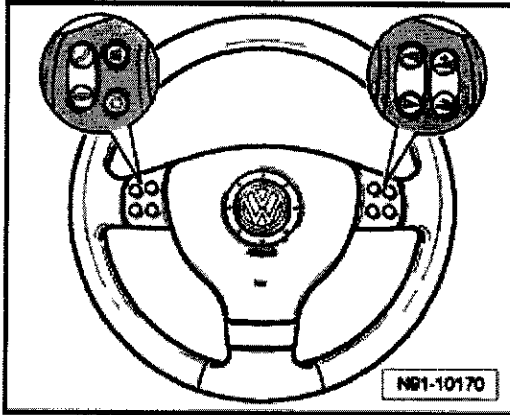


Multi-function steering wheel

General information



The multi-function steering wheel allows some functions of the Communication system to be operated from the steering wheel.

The control module for the multi-function steering wheel communicates only with the control module for steering column electronics where digital commands are prepared for system communications using the Convenience and Powertrain CAN Bus networks.

The multi-function steering wheel includes the following components:

Operating unit with two sets of key pads and integrated electronics.

A control module for the multi-function steering wheel.

Before troubleshooting or servicing, technicians must be familiar with the functions and operation specifics of the Multi-function Steering Wheel. Always read the owners manual and review applicable system functions.

Note:

Additional information:

⇒ *Owners Manual*

⇒ *Self Study Program - Course Number 89103 "The 2005 new Jetta New Model Introduction"*

⇒ *Self Study Program - Course Number 873403 "The 2005 new Jetta - Electrical System"*

⇒ *Wiring Diagrams Component Locations*

Warning!

When disconnecting and reconnecting battery terminals, observe all applicable Notes and torque specifications, as well as instructions on performing OBD program and electrical system function checks as specified in

⇒ ***Repair Manual, Electrical Equipment, Repair Group 27, Battery, disconnecting and reconnecting***

On Board Diagnostic (OBD), functions

Multi-function Steering Wheel Control Module has On Board Diagnostic (OBD) capability. If malfunctions occur in monitored components, Diagnostic Trouble Codes (DTC) will be stored in memory.

Troubleshoot Multi-function Steering Wheel Control Module malfunctions by performing OBD program using Vehicle Diagnosis, Testing and Information System VAS 5051/5052/5052 in operating mode "Guided Fault Finding" .

Multi-function Buttons (on steering wheel) E440 E441, removing and installing

Removing:

Note:

Removal of left and right buttons is the same

Warning!

Special safety precautions apply to vehicles equipped with airbags

⇒ Repair Manual, Body Interior, Repair Group 69, Safety precautions

Electrostatically discharge yourself before working on the airbag unit. This can be accomplished by touching an grounded metal object such as a water pipe, heater pipe or metal support.

Warning!

Before beginning repairs on electrical system

Switch off all electrical consumers.

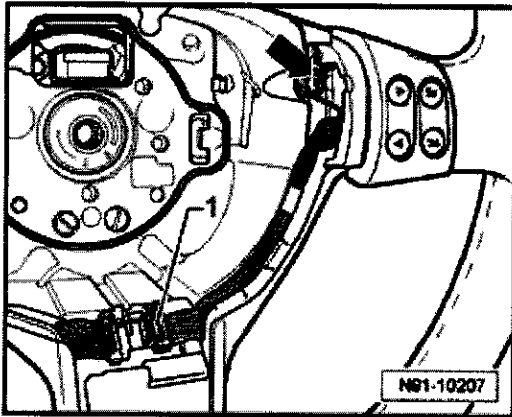
Switch ignition off and remove ignition key.

Disconnect negative (-) battery terminal

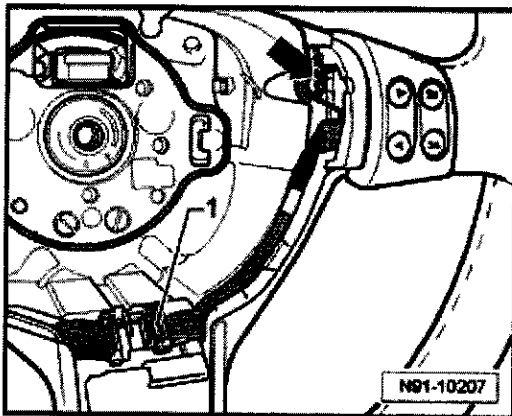
⇒ Repair Manual, Electrical Equipment, Repair Group 27, Battery, disconnecting

- Remove drivers airbag,

⇒ Repair Manual, Body Interior, Repair Group 69, Airbag: removing and installing drivers side airbag unit



- Disconnect electrical connection - 1 - .



- Remove screw - **arrow** - .

- Remove button block.

Installing:

Install in reverse order of removal.

Multi-function Steering Wheel Control Module J453, removing and installing

Removing:

Warning!

Special safety precautions apply to vehicles equipped with airbags

⇒ **Repair Manual, Body Interior, Repair Group 69.**

Safety precautions

Electrostatically discharge yourself before working on the airbag unit. This can be accomplished by touching an grounded metal object such as a water pipe, heater pipe or metal support.

Warning!

Before beginning repairs on electrical system

Switch off all electrical consumers.

Switch ignition off and remove ignition key.

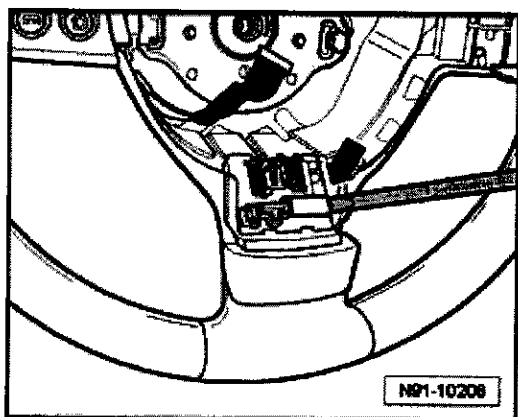
Disconnect negative (-) battery terminal

⇒ Repair Manual, Electrical Equipment, Repair Group 27, Battery, disconnecting

- Remove drivers airbag,

⇒ Repair Manual, Body Interior, Repair Group 69, Airbag: removing and installing drivers side airbag unit

- Disconnect both electrical connections at control module.



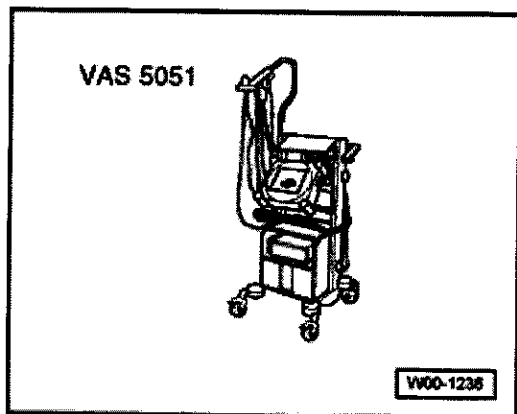
- Using a suitable screwdriver, carefully pry out the control module - arrow - .

Installing:

Install in reverse order of removal.

- Code control module for steering column electronics, ⇒
91-10, Multi-function Steering Wheel, adapting .

Multi-function Steering Wheel, adapting



Special tools, testers and auxiliary items required

Diagnostic Operation System VAS 5051/5052 or Vehicle Diagnosis and Service System VAS 5052

Diagnostic cable VAS5051/5a or VAS5051/6a or VAS5052/3

Select "Guided Functions" in Diagnostic Operation System VAS 5051/5052 or Vehicle Diagnosis and Service System

VAS 5052 .

or

Select "Guided Fault Finding" in Vehicle Diagnosis, Testing and Information System VAS 5051/5052 or Vehicle Diagnosis and Service Information System VAS 5052 .

After all control modules have been checked:

- Press "Go to" button.
- Select "Function/component selection" .
- Select "Body" .
- Select "Electrical Equipment" .
- Select "01 - On Board Diagnostic (OBD) capable systems" .
- Select "steering column electronics" .
- Select "Code control module function" .